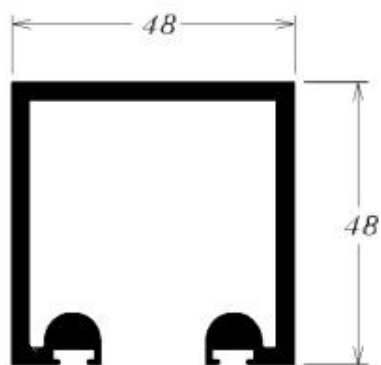


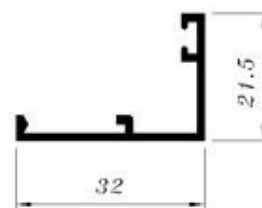


alumiplast

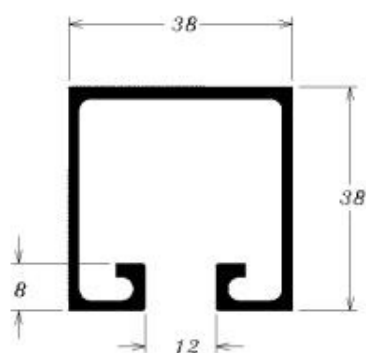
## PERFIS DIVERSOS



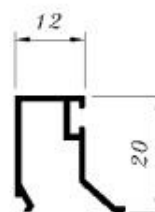
*AL-68*  
*1.520 kg/m*



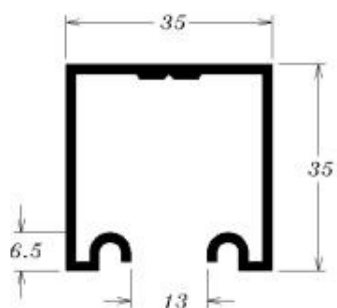
*AL-26*  
*0.270 kg/m*



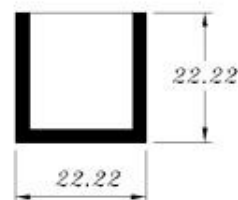
*AL-37*  
*0.980 kg/m*



*AL-27*  
*0.195 kg/m*



*U-1098*  
*0.599 kg/m*



*AL-11*  
*0.400 kg/m*